

# CORINTH

BPD74232




---

**Project:**

---

**Location:**

---

**Fixture Type:**

---

**Catalog Number:**

---

## AVAILABLE FINISHES



AB: Aged Brass

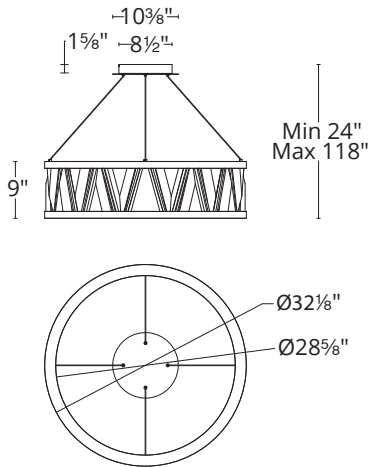


BK: Black

## DESCRIPTION

Adorned with large trillion-diamond shaped Schonbek optic haze crystals composed of natural quartz gemstone. Corinth is a new statement on crystal. Hidden light sources and powered aircraft cables elevate a conservative profile with intrigue and technology. The solid double ring body is finished in crystal haze and deploys ambient up lighting.

## LINE DRAWING



## FEATURES

- Unique Optic Haze crystal diffuser
- Each hand selected piece features unique variations
- Built-in color temperature adjustability switch from 3000K/3500K/4000K at time of installation
- Thin powered aircraft cables provide an ultra clean look for adjustable suspension height
- Spin-on round canopy with minimal hardware
- Thin canopy conceals a proprietary universal 120V-220V-277V driver
- Can be mounted on a sloped ceiling

## SPECIFICATIONS

CRI	90
Dimming	ELV, 0-10V, TRIAC
Standards	ETL/cETL, Damp, Title 24

## REPLACEMENT PARTS

- RPL-GLA-74232 - Optic Haze Crystal

Model	Size	LED Color Temp	Finish	Voltage	Wattage	Weight	LED Lumens	Delivered Lumens
BPD74232	32"	3000K/3500K/4000K	<b>AB</b> Aged Brass <b>BK</b> Black	120-277V	55W	44 lb	1589	1000

**Example: BPD74232-BK**