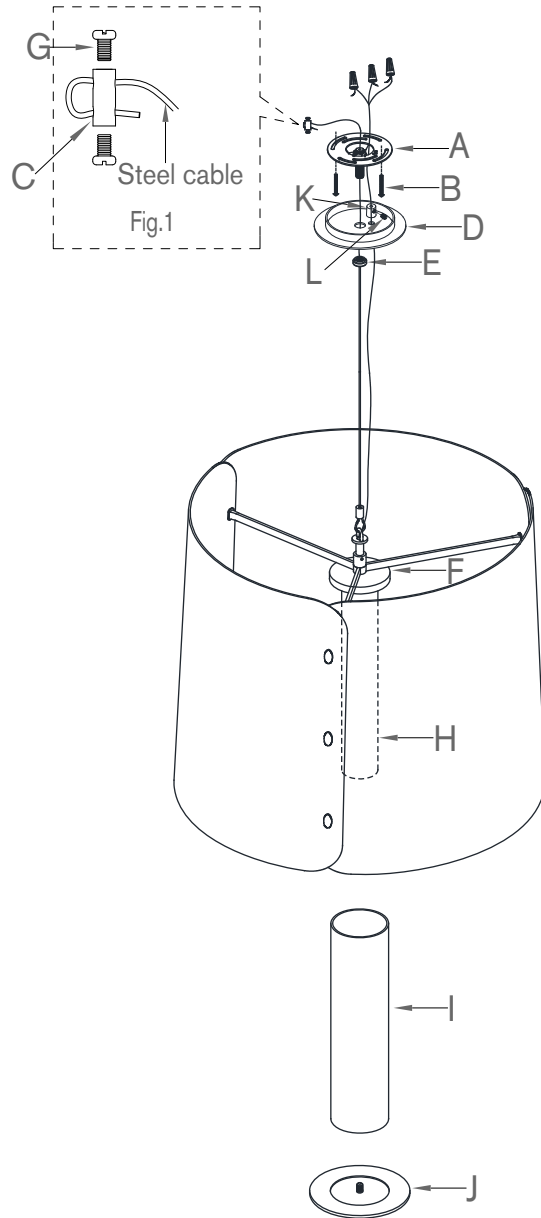


ASSEMBLY INSTRUCTIONS



Dapper Medium Hanging Shade Item # BBL 5118

WE RECOMMEND INSTALLATION OF THIS LIGHTING FIXTURE BE DONE BY A LICENSED ELECTRICIAN.

WARNING * SWITCH OFF THE MAIN ELECTRICAL SUPPLY FROM THE MAIN FUSE BOX/CIRCUIT BREAKER BEFORE INSTALLATION.**

INSPECT ITEM CAREFULLY BEFORE ATTEMPTING TO INSTALL. IF THERE IS ANY DAMAGE OR OBVIOUS DEFECT, DO NOT INSTALL.

ITEM MAY NOT BE RETURNED ONCE IT HAS BEEN INSTALLED.

1. Carefully remove all parts from the carton.
2. Remove mounting plate (A) from canopy (D) by removing the collar ring (E).
3. Feed the steel cable through the center hole of canopy (D), feed the fixture cord through the small hole of canopy (D).
4. To determine the hanging length for the pendant, adjust the steel cable to desired length, then cut the extra length of the steel cable and secure with lock nut (C) screws (G). (Refer to Fig.1)
5. Loosen set screw (L), feed the fixture wire to the wire clip (K) and tighten with set screw (K).
6. Affix mounting plate (A) to ceiling outlet box with mounting screws (B) provided.
7. Gently pull the wires from the ceiling outlet through the center hole of mounting plate (A).
8. Attach ground (green) wire to ground wire from wall outlet box (usually green or copper in color), fasten together with a plastic wire connector. Tightly wrap the wire connector with electrical tape, so the end of the connector is sealed. IT IS IMPERATIVE THAT THE OUTLET BOX IN YOUR HOME BE PROPERLY GROUNDED.
9. Connect neutral (white) fixture wire coming from fixture base to neutral (usually white) outlet wire. Fasten both wires together with a plastic wire connector and tightly wrap the wire connector with electrical tape.
10. Repeat the procedure with the hot (black) wires. Always make sure that no wire strands are left outside the connectors. DO NOT REVERSE THE HOT AND NEUTRAL CONNECTIONS OTHERWISE SAFETY WILL BE COMPROMISED.
11. Tuck wire connections neatly into ceiling outlet box.
12. Slip canopy (D) to ceiling and secure with collar ring (E)
13. Attach the glass cylinder (I) to the shade housing (F) and screw the cap (J) to the cylinder shade (H) to secure the glass shade (I) in place.
14. Installation is complete. Restore power and test fixture.

*** Clean with a dry, soft cloth only. Use no harsh abrasives or chemical agents.