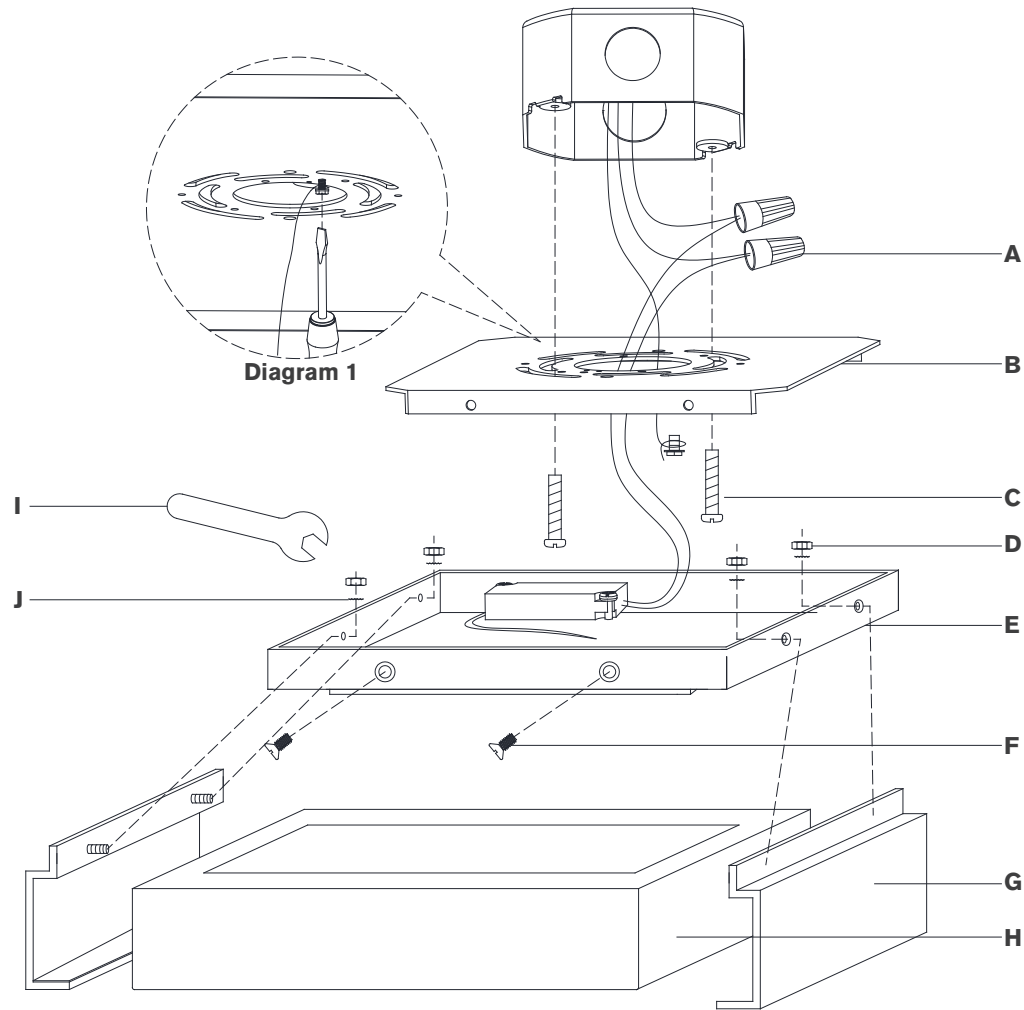


## ASSEMBLY INSTRUCTIONS



## Covet Small Flush Mount

Item # KW 4114

### NOTICE:

This light fixture should be installed in accordance with all applicable, local installation codes, and by a person familiar with the construction and operation of it, as well as the hazards involved. Inspect item and contents carefully. If any damage or defect is found, do not install. Retain all packaging material until installation is complete and approved.

### TOOLS REQUIRED (NOT INCLUDED):

Phillips Screwdriver

Slotted Screwdriver

### PERSONS REQUIRED: Two

1. Carefully remove all parts from the box. Place on a clean, soft surface.
2. Remove mounting plate (B) from canopy (E) by removing screws (F).
3. Install mounting plate (B) to the junction box and secure with mounting screws (C).
4. Remove shade brackets (G) from canopy (E) by loosening hex nuts (D) using provided wrench (I).
5. Affix shade brackets (G) to either side of alabaster shade (H), then secure to canopy (E) using rubber washers and hex nuts (D & G) with provided wrench (I).
6. Wrap the supply ground wire to the green ground screw on the mounting plate (B) and secure. (see diagram 1)
7. Connect driver input neutral wire (white) to the supply neutral wire (usually white) using wire nut (A).
8. Connect driver input hot wire (black) to the supply hot wire (usually black) using the wire nut (A).

**CAUTION:** Do not reverse the hot and neutral connections.

